

APACHE

PLANTER 27000+

*The pleasure and security of doing the best work
with the highest performance.*





ROW UNIT

It is suitable for almost all soil types and it features a long track record of impeccable reputation as for strength and penetration. It is important to highlight its special characteristic of fitting any type of meter.

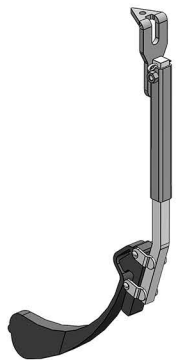
Strong parallel linkage with multiposition. It has a 17" coulters blade which cuts residue in the seeding row, followed by 16" double disk with double gauge wheels attached. The method of seed fixation at the end of the row and their covering can vary in order to meet our clients' needs.

APACHE

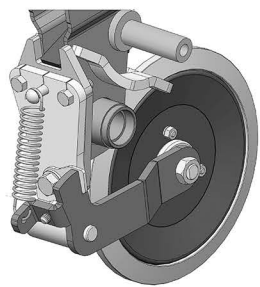
ROW UNIT OPTIONS

A 1" x 9 1/2" press wheel or a seed firmer are the options for steadying the seed at the end of the row.

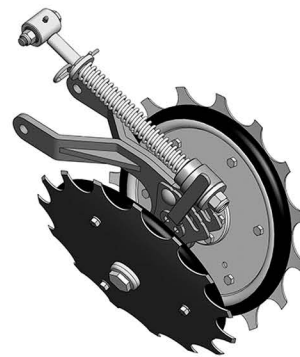
The closing of the row is performed by double closing wheels with fork system where two options of wheels are available: rubber wheels, with or without notched disk attached or one grey cast iron wheel.



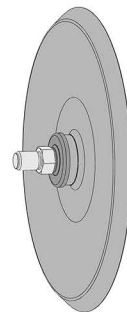
Seed firmer



*Press wheel
1" x 9 1/2"*



*Closing wheels
with forks*



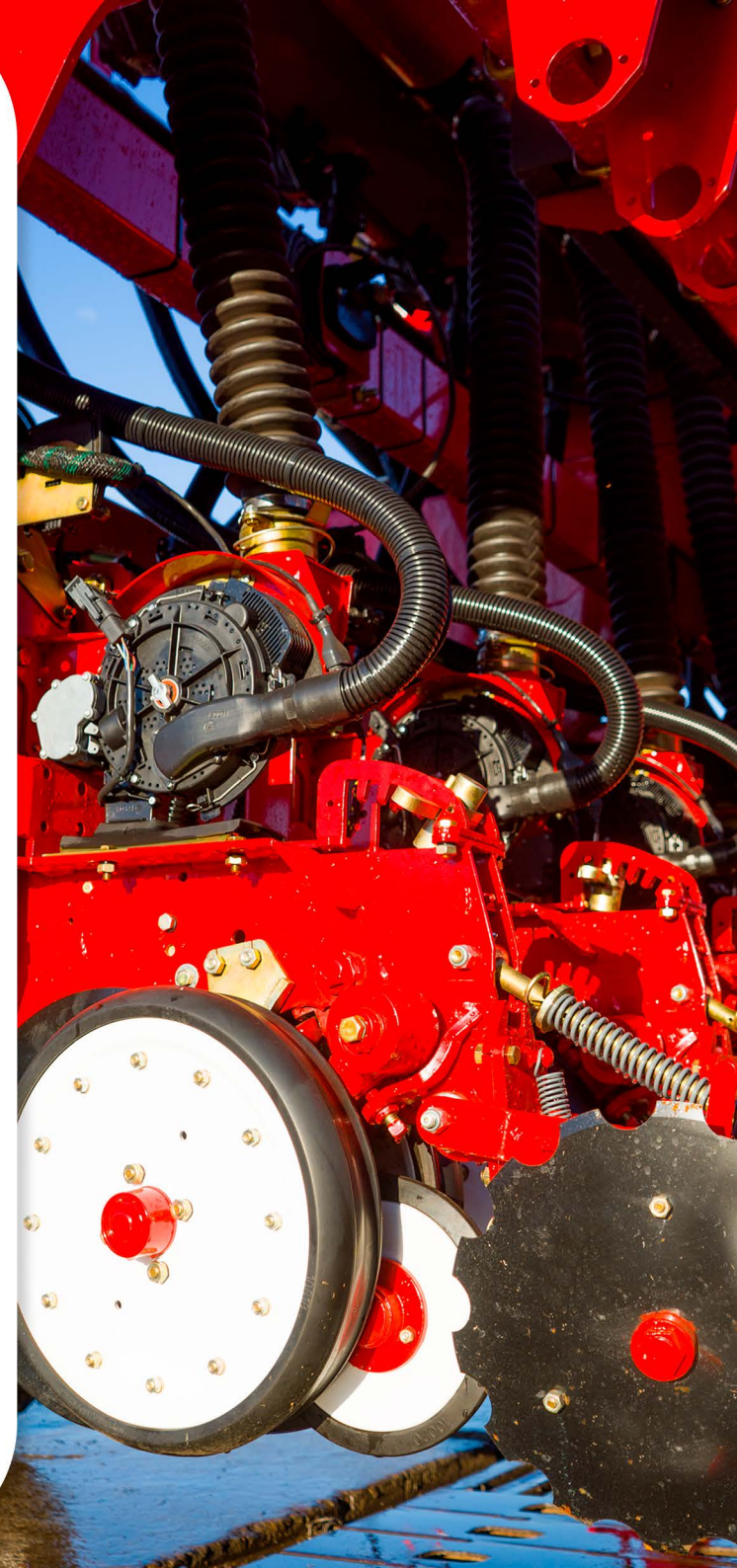
*Iron closing
wheel*



*Rubber closing wheel,
round tread with
notched disk*



*Rubber closing wheel,
trapezoidal tread with
notched disk*



CONFIGURATIONS

27000+

Module	Option 1	Option 2	Option 3
1 Module	12 rows at 420 mm	10 rows at 525 mm	13 rows at 382 mm 7 rows at 764 mm
	13 rows at 450 mm	7 rows at 900 mm	
	14 rows at 420 mm	12 rows at 525 mm	15 rows at 385 mm 8 rows at 764 mm
	16 rows at 420 mm	12 rows at 525 mm	
	18 rows at 420 mm	14 rows at 525 mm	10 rows at 764 mm
	20 rows at 420 mm	16 rows at 525 mm	
	21 rows at 382 mm	11 rows at 764 mm	
2 Modules	23 rows at 350 mm	15 rows at 525 mm	19 rows at 420 mm 12 rows at 700 mm
	20 rows at 420 mm	12 rows at 700 mm	
	20 rows at 450 mm	11 rows at 900 mm	
	22 rows at 400 mm	18 rows at 525 mm	
	24 rows at 420 mm	20 rows at 525 mm	
	26 rows at 350 mm	18 rows at 525 mm	14 rows at 700 mm
	26 rows at 382 mm	18 rows at 525 mm	
	28 rows at 420 mm	24 rows at 525 mm	
	30 rows at 350 mm	26 rows at 420 mm	16 rows at 700 mm
	30 rows at 382 mm	28 rows at 420 mm	16 rows at 764 mm
	32 rows at 350 mm	22 rows at 525 mm	
	34 rows at 382 mm	32 rows at 420 mm	24 rows at 525 mm 18 rows at 764 mm
	36 rows at 420 mm	28 rows at 525 mm	20 rows at 764 mm
38 rows at 350 mm	26 rows at 525 mm	20 rows at 700 mm	
43 rows at 382 mm	220 rows at 764 mm	32 rows at 525 mm	
3 Modules	36 rows at 420 mm	30 rows at 525 mm	
	42 rows at 420 mm	36 rows at 525 mm	
	48 rows at 420 mm	40 rows at 525 mm	
	56 rows at 420 mm	44 rows at 525 mm	
	60 rows at 420 mm	48 rows at 525 mm	36 rows at 700 mm



BOXES CAPACITY

Rows / MM	Seed Capacity (dm ³)	Fertilizer Capacity (dm ³)	Just Seed Capacity (dm ³)	Corn Box Capacity (dm ³)
13 at 382 / 7 at 764 / 12 at 420 / 10 at 525	1425	1045	2096	544
16 at 420 / 12 at 525	1725	1285	2576	672
18 at 420 / 14 at 525 / 10 at 764	1977	1450	2908	758
20 at 420 / 16 at 525	2203	1616	3240	845
21 at 382 / 11 at 764	2127	1560	3128	816
23 at 350 / 12 at 700 / 15 at 525 / 19 at 420	2127	1560	3128	816
20 at 420 / 12 at 700	2094	1536	3080	803
22 at 400 / 18 at 525	2259	1657	3323	866
24 at 420 / 20 at 525	2259	1906	3822	997
26 at 350 / 14 at 700 / 18 at 525	2299	1686	3381	882
26 at 382 / 18 at 525	2476	1816	3642	950
28 at 420 / 24 at 525	3097	258	4527	1181
30 at 350 / 16 at 70 / 26 at 420	2731	2003	4016	1045
30 at 382 / 16 at 754 / 28 at 420	2978	2184	4379	1142
32 at 350 / 22 at 525	2863	2100	4210	1098
34 at 382 / 32 at 420 / 24 at 525 / 18 at 764	3330	2442	4896	1277
36 at 420 / 28 at 525 / 20 at 764	3840	2817	5648	1473
38 at 350 / 26 at 525 / 20 at 700	3484	2555	5124	1336
43 at 382 / 22 at 764 / 32 at 525	4320	3169	6353	1657
36 at 420 / 30 at 525	3842	2817	5649	1473
42 at 420 / 36 at 525	4547	3335	6687	1744
40 at 420 / 40 at 525	5167	3790	7599	1982
56 at 420 / 44 at 525	5929	4349	8719	2274
60 at 420 / 48 at 525 / 36 at 700	6407	4700	9422	2457

APACHE



COARSE GRAIN METER

APACHE's Mechanical Meter

With a broad trajectory, but cutting-edge designs and materials, the heart of APACHE's seeding equipment has always been the meter; with an efficiency and design which have placed it as one of the best in the market.

Its most outstanding features are: **The inclination angle and its side drop that provides an excellent seed treatment and precision while planting.** The nature of its operation has always been the same, supported so far by everyone who has evidenced its performance.

Vacuum meters

State-of-the-art technology applied to the seeding labour has come to stay; and in Apache we believe we are "traditionally up-to-date". All our seeding equipment has preserved its strong essence but show elegant lines in their design. Machines are also perfectly adaptable to vacuum seeding systems, weather mechanically or electrically driven.

The most outstanding features of these seed meters with "suction" system are: seeding speed and the possibility of planting different types of seeds, regardless shape and size.

MATERMACC: It offers precision, simplicity and low maintenance.

PRECISION PLANTING: It offers precision, high technology and a wide quantity of information as well as a broad range of attachments.

APACHE



**The pleasure and security of doing
the best work with the
highest performance**



APACHE

For almost 70 years, seeding has moved us.

www.apache.com.ar

ventas@apache.com.ar

+54 9 3471 55-0888

Juan Domingo Perón N° 197,



Las Parejas, Santa Fe, **Argentina**



**Made here,
proven
worldwide.**

APACHE

SEED DRILL 54000 MAX

Drive your seeding to the next level.



ROW UNIT

Standard

It is suitable for almost all soil types and it features a long track record of impeccable reputation as for **strength and penetration**. It is important to highlight its special characteristic of **fitting any type of meter**.

Strong parallel linkage with multiposition. It has a 17" coulter blade which cuts residue in the seeding row, followed by 16" double disk with double gauge wheels attached. A rubber press wheel or a seed firmer are the options for steadying the seed at the end of the row. The covering of the seed is performed by double closing wheels which offer some options that vary from rubber to metallic and cast iron treads.

Optional

It owes its name, "**Entre Rios**", to the area where it is mainly used; with a soil mostly clay-like which requires not stirring the soil so much during the seeding labour. Owing to this attribute it is also required in countries such as **Uruguay and South Africa**.

It offers strong parallel linkage and the coulter blade is removed. The double disk is composed of unequal off-set disks in order to carry out the ploughing and seeding labour at the same time. The other components are the same which form the standard row unit, as well as the quality of fitting any type of meter. It is visualized slightly different but the prestige and strength of the brand are present in every line.

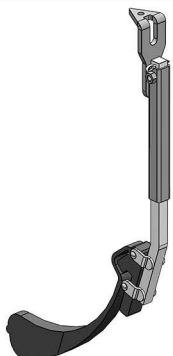
APACHE



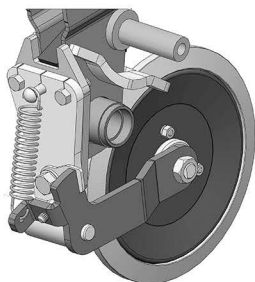
ROW UNIT OPTIONS

The options for steadying the seed at the end of the row are a seed firmer or 1" x 9 1/2" press wheel.

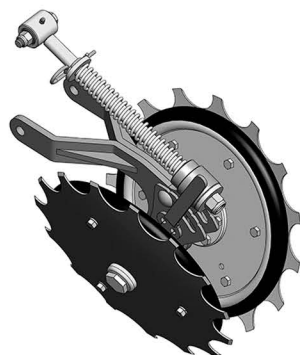
The closing of the row is performed by double closing wheels with fork system and two options of wheels are available: rubber wheels, with or without notched disk attached or one grey cast iron wheel.



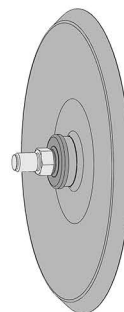
Seed firmer



*1" x 9 1/2"
Press wheel*



*Closing wheels
with forks*



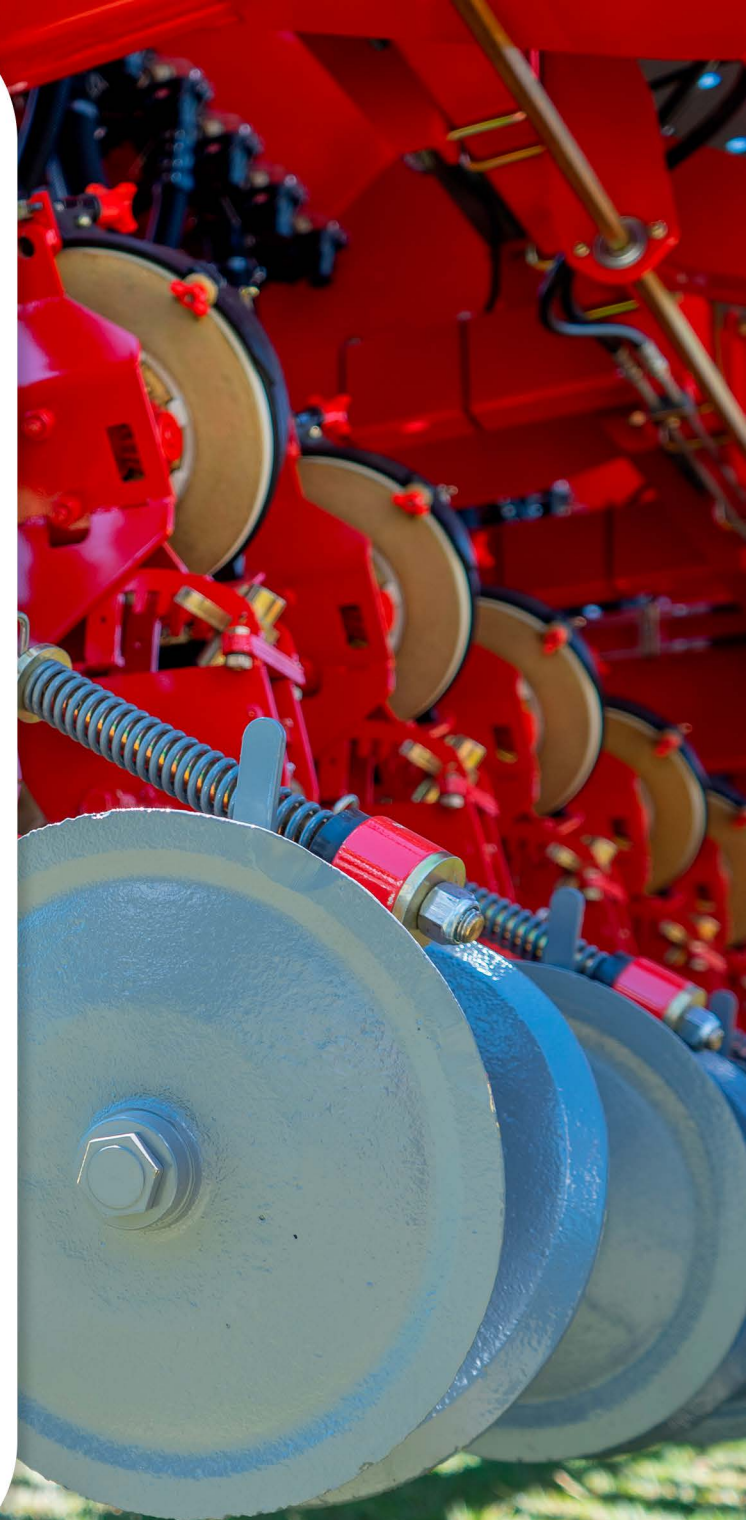
*Iron closing
wheel*



*Rubber closing wheel,
round tread with
notched disk*



*Rubber closing wheel,
trapezoidal tread with
notched disk*



CONFIGURATIONS

54000 MAX

Módulo	Row spacing small grains	Row spacing convertible into coarse grains
1 Module 4 Meters	23 rows at 175 mm	12 rows at 350 mm 17 rows at 525 mm
	21 rows at 191 mm	11 rows at 382 mm
	19 rows at 210 mm	10 rows at 420 mm
	13 rows at 262,5 mm	7 rows at 525 mm
1 Module 5 Meters	29 rows at 175 mm	15 rows at 350 mm 9 rows at 525 mm 8 rows at 700 mm
	27 rows at 191 mm	14 rows at 382 mm
	25 rows at 210 mm	13 rows at 420 mm
	19 rows at 262,5 mm	9 rows at 525 mm
1 Module 6,5 Meters	37 rows at 175 mm	19 rows at 350 mm 13 rows at 525 mm 10 rows at 700 mm
	35 rows at 191 mm	18 rows at 382 mm
	29 rows at 210 mm	15 rows at 420 mm
	23 rows at 262,5 mm	12 rows at 525 mm
7 Meters 1 Module	33 rows at 210 mm	17 rows at 420 mm
	27 rows at 262,5 mm	13 rows at 525 mm

Module	Row spacing small grains	Row spacing convertible into coarse grains
2 Modules 8 Meters	47 rows at 175 mm	24 rows at 350 mm 15 rows at 525 mm 12 rows at 700 mm
	43 rows at 191 mm	22 rows at 382 mm
	39 rows at 210 mm	20 rows at 420 mm
	29 rows at 262,5 mm	15 rows at 525 mm
2 Modules 10 Meters	59 rows at 175 mm	30 rows at 350 mm 19 rows at 525 mm 16 rows at 700 mm
	55 rows at 191 mm	28 rows at 382 mm
	51 rows at 210 mm	26 rows at 420 mm
	39 rows at 262,5 mm	19 rows at 525 mm
2 Modules 12 Meters	71 rows at 175 mm	35 rows at 350 mm 23 rows at 525 mm 18 rows at 700 mm
	67 rows at 191 mm	33 rows at 382 mm
	59 rows at 210 mm	30 rows at 420 mm
	47 rows at 262,5 mm	23 rows at 525 mm

Module	Row spacing small grains	Row spacing convertible into coarse grains
3 Modules 12 Meters	71 rows at 175 mm	36 rows at 350 mm 23 rows at 525 mm 18 rows at 700 mm
	65 rows at 191 mm	33 rows at 382 mm
	59 rows at 210 mm	30 rows at 420 mm
	45 rows at 262,5 mm	23 rows at 525 mm
3 Modules 15 Meters	89 rows at 175 mm	45 rows at 350 mm 29 rows at 525 mm 23 rows at 700 mm
	83 rows at 191 mm	42 rows at 382 mm
	77 rows at 210 mm	39 rows at 420 mm
	59 rows at 262,5 mm	29 rows at 525 mm

BOXES CAPACITY

Maximum capacity, maximum range.

Meters	Modules	Seed Capacity (dm ³)	Fertilizer Capacity (dm ³)	Just Seeds (dm ³)	Corn Capacity (dm ³)	Alfalfa Capacity (dm ³)
4 m	1 module	1420	1082	2152	391	128
5 m	1 module	1828	1394	2771	504	164
6.5 m	1 module	2381	1815	3608	656	214
7 m	1 module	2622	1998	3973	723	236
8 m	2 modules	2840	2164	4304	782	256
10 m	2 modules	3656	2788	5542	1008	328
12 m	2 modules	4440	3385	6729	1224	399
12 m	3 modules	4260	3247	6457	1174	383
15 m	3 modules	5485	4181	8313	1512	493

APACHE



COARSE GRAIN METER

APACHE's Mechanical Meter

With a broad trajectory, but cutting-edge designs and materials, the heart of APACHE's seeding equipment has always been the meter; with an efficiency and design which have placed it as one of the best in the market.

Its most outstanding features are: **The inclination angle and its side drop that provides an excellent seed treatment and precision while planting.** The nature of its operation has always been the same, supported so far by everyone who has evidenced its performance.

Vacuum meters

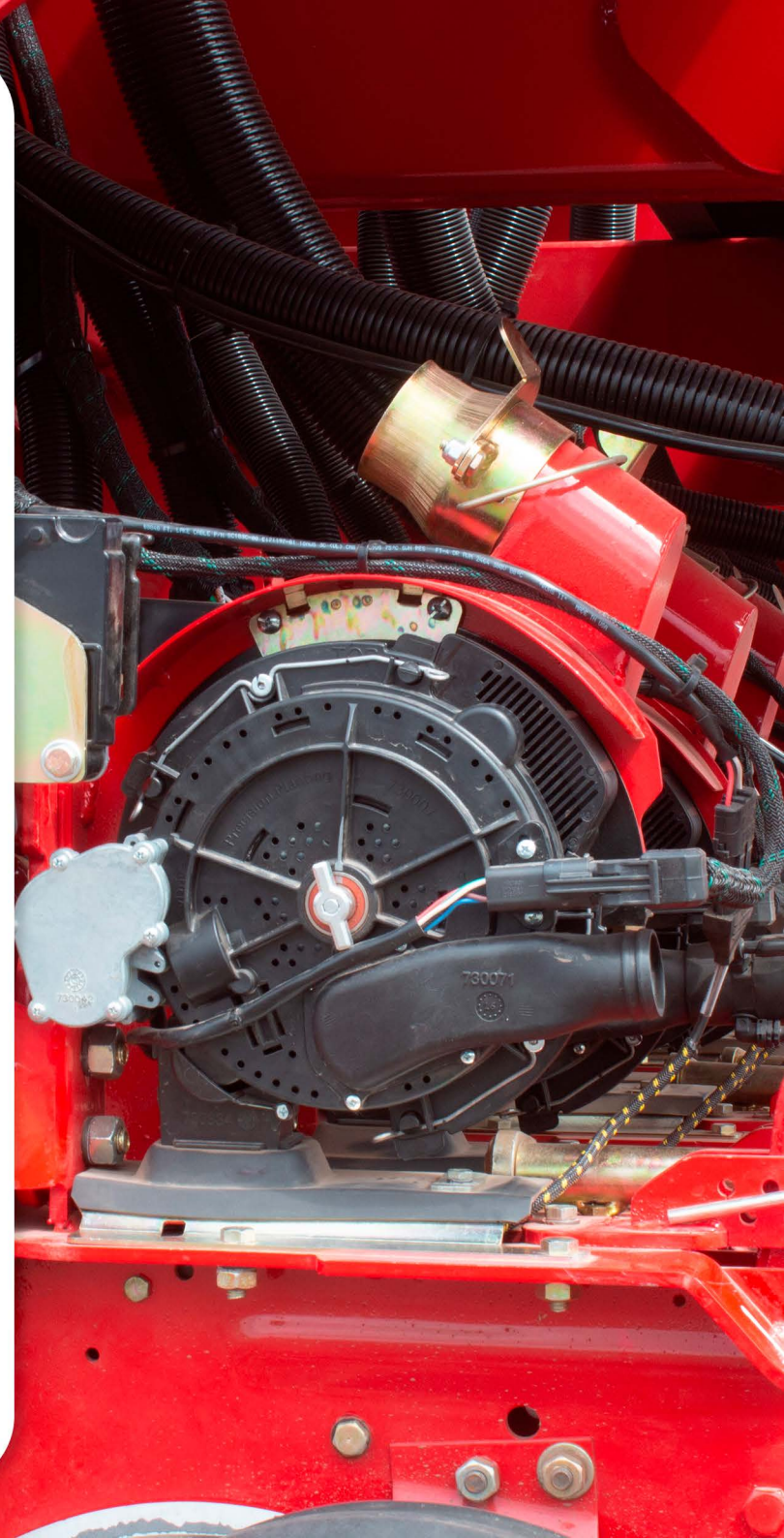
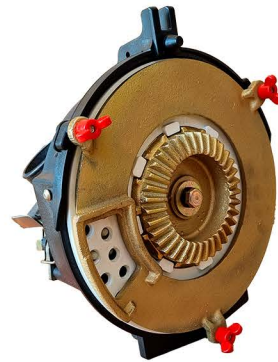
State-of-the-art technology applied to the seeding labour has come to stay; and in Apache we believe we are "traditionally up-to-date". All our seeding equipment has preserved its strong essence but show elegant lines in their design. Machines are also perfectly adaptable to vacuum seeding systems, weather mechanically or electrically driven.

The most outstanding features of these seed meters with "suction" system are: seeding speed and the possibility of planting different types of seeds, regardless shape and size.

MATERMACC: It offers precision, simplicity and low maintenance.

PRECISION PLANTING: It offers precision, high technology and a wide quantity of information as well as a broad range of attachments.

APACHE



Small-grain to coarse conversion



APACHE

For almost 70 years, seeding has moved us.

www.apache.com.ar

ventas@apache.com.ar

+54 9 3471 55-0888

Juan Domingo Perón N° 197,



Las Parejas, Santa Fe, **Argentina**



**Made here,
proven
worldwide.**

APACHE

SEEDING EQUIPMENT **90000 AIR DRILL**

Future technology, the same passion as always.



CONFIGURATIONS

90000 AIR DRILL

It is a multipurpose seeding equipment developed for seeding **small and coarse grains**, conceived under a modular, robust design that is highly adaptable to different production schemes. The structural assembly consists of a **main chassis and vertical folding side sub-chassis**, which significantly reduces the total width for transport without affecting strength or stability during field work.

The equipment incorporates the **APACHE's seeding equipment row unit**, widely proven and validated in real conditions of use, guaranteeing reliable and uniform performance.

CONFIGURATIONS AND ROW SPACING:

Meters	Small Grains		Coarse Grains		
8,5 meters	47 rows at 175 mm	24 rows at 350 mm	15 rows at 525 mm	12 rows at 700 mm	24 L. at 350 mm + 7 L. p/ 525
	45 rows at 191 mm	23 rows at 382 mm		11 rows at 764 mm	
	39 rows at 210 mm	20 rows at 420 mm			
	33 rows at 262,5 mm	17 rows at 525 mm			
10 meters	55 rows at 175 mm	28 rows at 350 mm	19 rows at 525 mm	14 rows at 700 mm	28 L. at 350 mm + 9 L. p/ 525
	49 rows at 191 mm	25 rows at 382 mm		13 rows at 764 mm	
	47 rows at 210 mm	24 rows at 420 mm			
	37 rows at 262,5 mm	19 rows at 525 mm			
12 meters	67 rows at 175 mm	34 rows at 350 mm	23 rows at 525 mm	17 rows at 700 mm	34 L. at 350 mm + 11 L. p/ 525
	61 rows at 191 mm	31 rows at 382 mm		16 rows at 764 mm	
	55 rows at 210 mm	28 rows at 420 mm			
	45 rows at 262,5 mm	23 rows at 525 mm			



TRANSPORT SYSTEM

The transport system is designed to provide **maximum stability both during transport and during operation.**

The main chassis features two sets of walking beams at the rear sector and dual turning wheels at the front.

Each sub-chassis incorporates two fixed wheels, ensuring stable and safe performance in different ground conditions.

BOX SYSTEM AND PNEUMATIC DRIVING:

A box cart is located at the front of the equipment with a **total capacity of 12 m³, divided into two main compartments for seed(58%) and fertilizer (42%), or vice versa.**

The system operates via **pneumatic driving**, ensuring a continuous and homogeneous supply.

Additionally, the design allows for the **possibility of incorporating a third box specifically for pastures**, expanding the versatility and functionality of the unit.

APACHE





METERING AND CONTROL FOR SMALL GRAINS, SOYBEANS AND FERTILIZER

The distribution of seeds and fertilizers for drill seeding is performed by metering rollers, which enable precise regulation of the required rate according to the crop. The movement of these rollers can be performed by different drive systems to suit the operational needs of each producer:

ELECTRIC: ROJ electric motors, integrated with state-of-the-art **ISO BUS ARAG** monitoring systems, ensuring full compatibility with the main ISO BUS monitors and terminals on the global market, allowing an efficient integration with different tractors, brands, and precision agriculture systems

HYDRAULIC: VAPPLY hydraulic motors, with the recognized quality and precision of **Precision Planting systems**, offering a high-performance alternative for metering.

Once metered, the product is transported by positive pressure air flow through pneumatic ducts to each row unit, guaranteeing uniform, constant distribution free from obstructions, even at high working speeds.

ROW UNIT

It is suitable for almost all soil types and it features a long track record of impeccable reputation as for strength and penetration. It is important to highlight its special characteristic of fitting any type of meter.

Strong parallel linkage with multiposition. It has a 17" coulter blade which cuts residue in the seeding row, followed by 16" double disk with double gauge wheels attached.

The method of seed fixation at the end of the row and their covering can vary in order to meet our clients' needs.

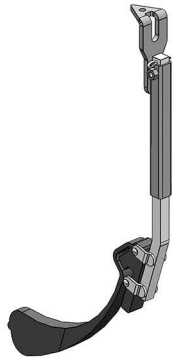
APACHE



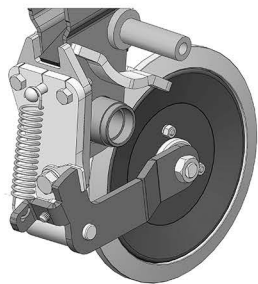
ROW UNIT OPTIONS

To steady the seed at the end of the row, you can choose between a seed firmer or a 1" x 9 1/2" press wheel.

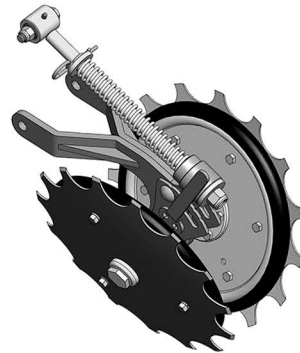
The closing of the row is performed by double closing wheels with a fork system where you can choose between two types of rubber wheels (with or without notched disk attached) or one grey cast iron wheel.



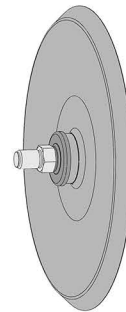
Seed firmer



*Press wheel
1" x 9 1/2"*



*Closing wheels
with forks*



*Iron closing
wheel*



*Rubber closing wheel,
round tread with
notched disk*



*Rubber closing wheel,
trapezoidal tread with
notched disk*



MONOGRAIN DISTRIBUTION FOR COARSE GRAINS:

For seeding coarse grains such as corn, sunflower and soybean, the machine adapts to "monograin" mode.

Seeds fall by gravity to the bottom of the box, from where they are air-driven through ducts to the individual meters.

The meters can be:

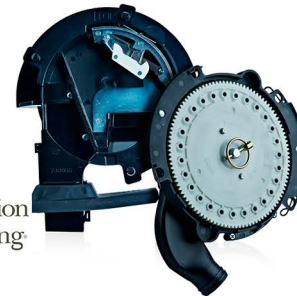
MECHANICAL: Apache inclined disk meter, with a long and impeccable track record.

PNEUMATIC: Precision Planting meter, with its high-technology versions.

The plate seeding system stands out for its excellent planting quality, providing precise control over seed metering per meter and spacing between plants, achieving a homogeneous planting that contributes to maximizing the crop's yield potential.

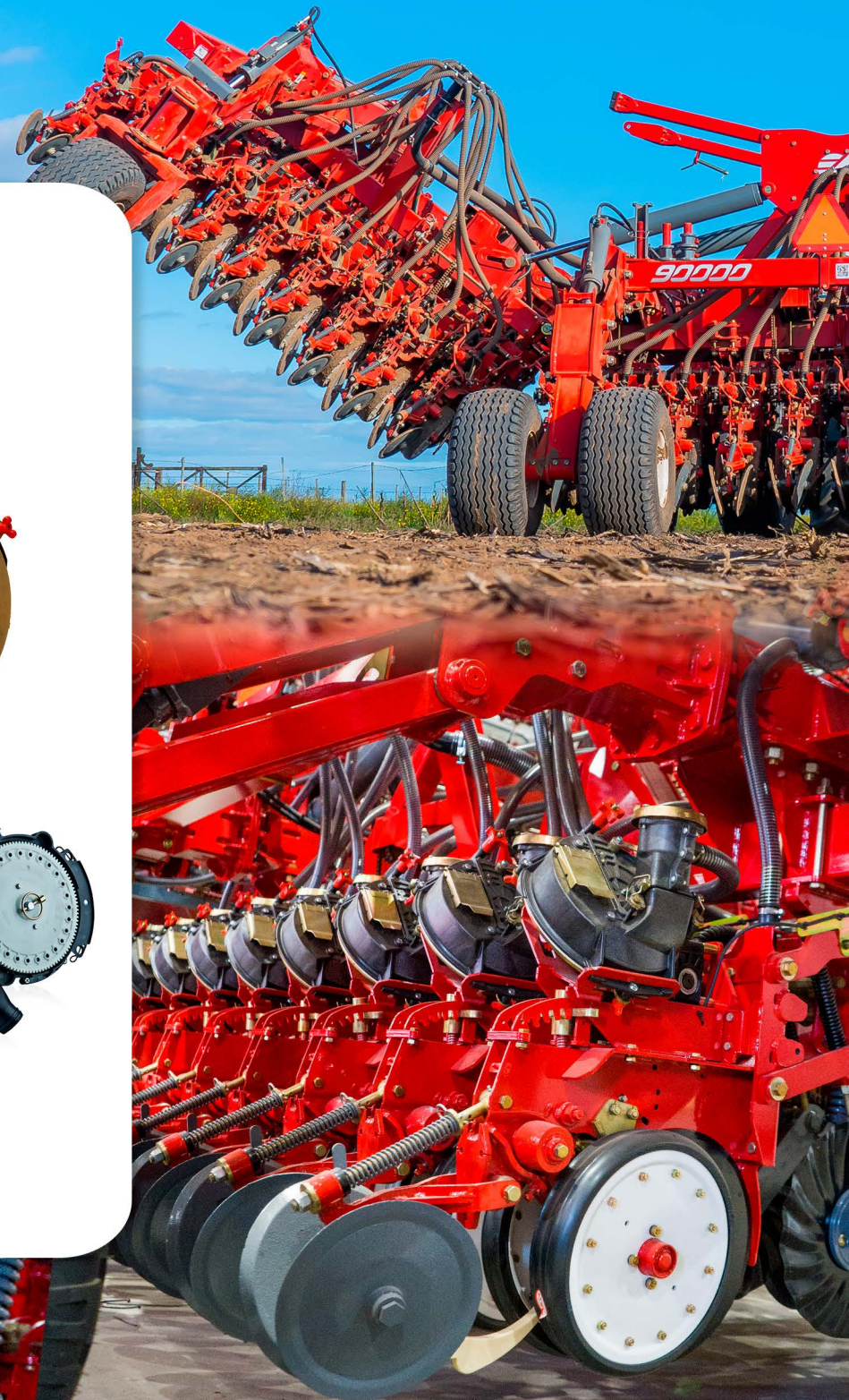


APACHE



**Precision
Planting**

APACHE



APACHE

For almost 70 years, seeding has moved us.

www.apache.com.ar

ventas@apache.com.ar

+54 9 3471 55-0888

Juan Domingo Perón N° 197,



Las Parejas, Santa Fe, **Argentina**



**Made here,
proven
worldwide.**

APACHE

PLANTER 99000

The good side of simplicity.



ROW UNIT

It is suitable for almost all soil types and it features a long track record of impeccable reputation as for strength and penetration. It is important to highlight its special characteristic of fitting any type of meter.

Strong parallel linkage with multiposition. It has a 17" coultter blade which cuts residue in the seeding row, followed by 16" double disk with double gauge wheels attached. The method of seed fixation at the end of the row and their covering can vary in order to meet our clients' needs.

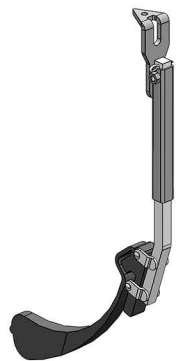
APACHE



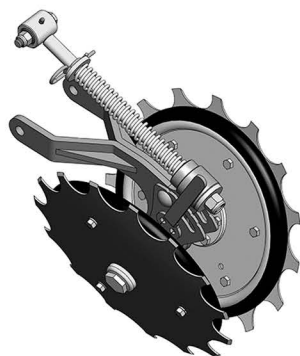
ROW UNIT OPTIONS

To steady the seed at the end of the row, you can choose between a seed firmer or a 1" x 9 1/2" press wheel.

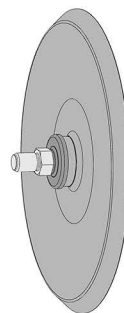
The closing of the row is performed by double closing wheels with a fork system where you can choose between two types of rubber wheels (with or without notched disk attached) or one grey cast iron wheel.



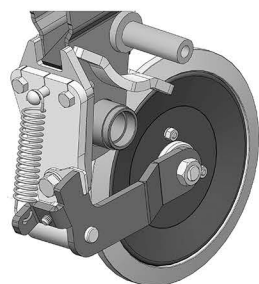
Seed firmer



Closing wheels with forks



Iron closing wheel



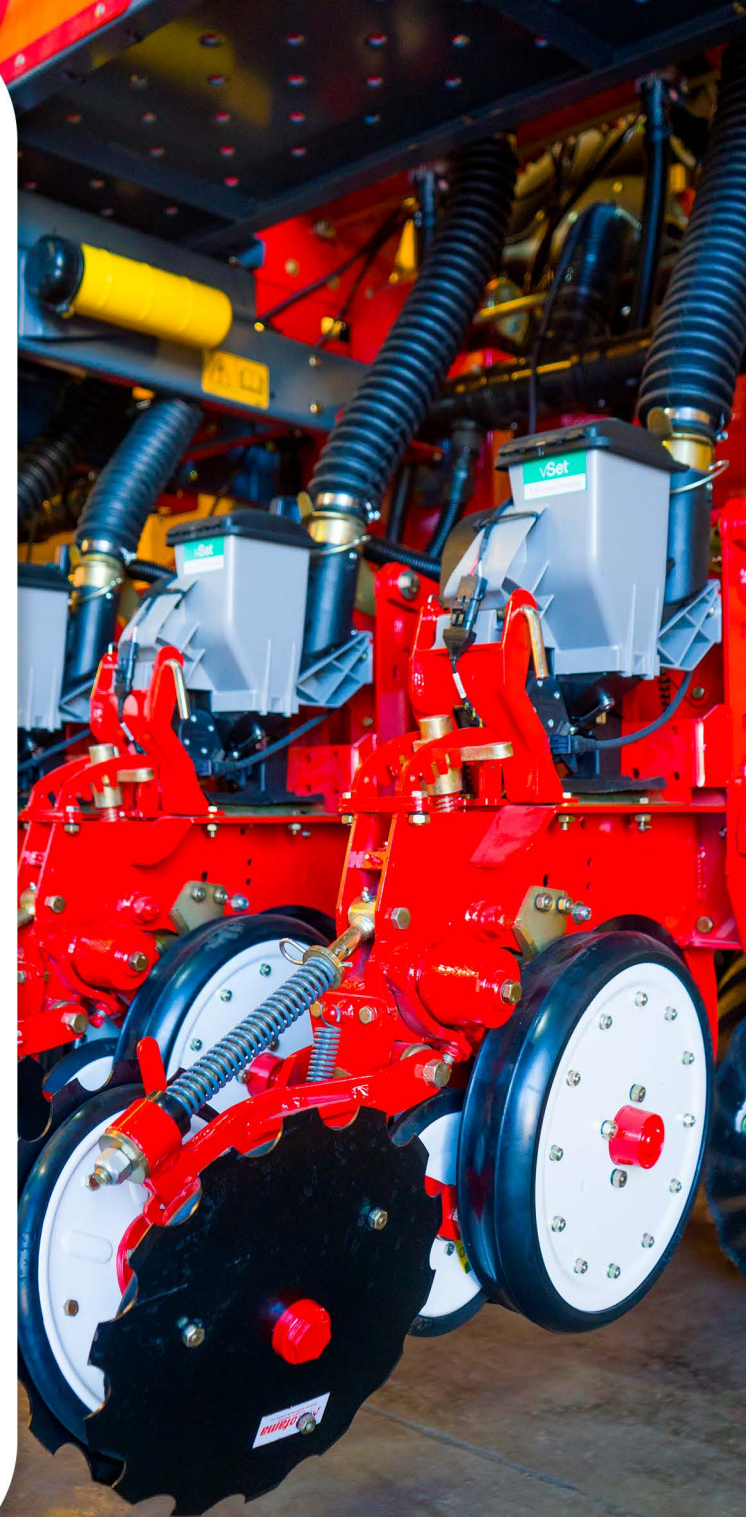
*Press wheel
1" x 9 1/2"*



*Rubber closing wheel,
round tread with
notched disk*



*Rubber closing wheel,
trapezoidal tread with
notched disk*



CONFIGURATIONS

99000

10-meter version

Row spacing	It transforms into
24 rows at 420 mm	
27 rows at 382 mm	14 rows at 764 mm
29 rows at 350 mm	15 rows at 700 mm
20 rows at 525 mm	

12-meter version

Row spacing	It transforms into
30 rows at 420 mm	
33 rows at 382 mm	17 rows at 764 mm
35 rows at 350 mm	18 rows at 700 mm
24 rows at 525 mm	

15-meter version

Row spacing	It transforms into
36 rows at 420 mm	
41 rows at 382 mm	20 rows at 764 mm
45 rows at 350 mm	22 rows at 700 mm
30 rows at 525 mm	

Box capacity

10-meter version	
Seeds	2311 dm ³
Fertilizer	1695 dm ³
Just seeds	3399 dm ³
Corn box	886 dm ³

Box capacity

12-meter version	
Seeds	2871 dm ³
Fertilizer	2110 dm ³
Just seeds	4232 dm ³
Corn box	1100 dm ³

Box capacity

15-meter version	
Seeds	3861 dm ³
Fertilizer	2706 dm ³
Just seeds	5425 dm ³
Corn box	1415 dm ³



APACHE



ADVANTAGES

- Front folding drive system controlled by solenoid valves from the tractor for fast opening and closing (less than one minute).
- **Double fertilization** option for high-performance seeding systems.
- Uniform weight distribution of the machine in three sections guarantees a correct seeding depth across the entire width of the planter, providing greater stability to the row unit.
- **Low hydraulic requirement**, adapting the product to a wide range of tractors (from 190 HP and 120 Liters of flow/minute).
- The machine's three-section articulation enable the seeding equipment to **copy uneven ground easily**.

COARSE GRAIN METER

Apache's Mechanical Meter

With a broad trajectory, but cutting-edge designs and materials, the heart of APACHE seeding equipment has always been the meter; with an efficiency and design which have placed it as one of the best in the market.

Its most outstanding features are: **The inclination angle and its side drop that provides an excellent seed treatment and precision while planting.** The nature of its operation has always been the same, supported so far by everyone who has evidenced its performance.

Vacuum meters

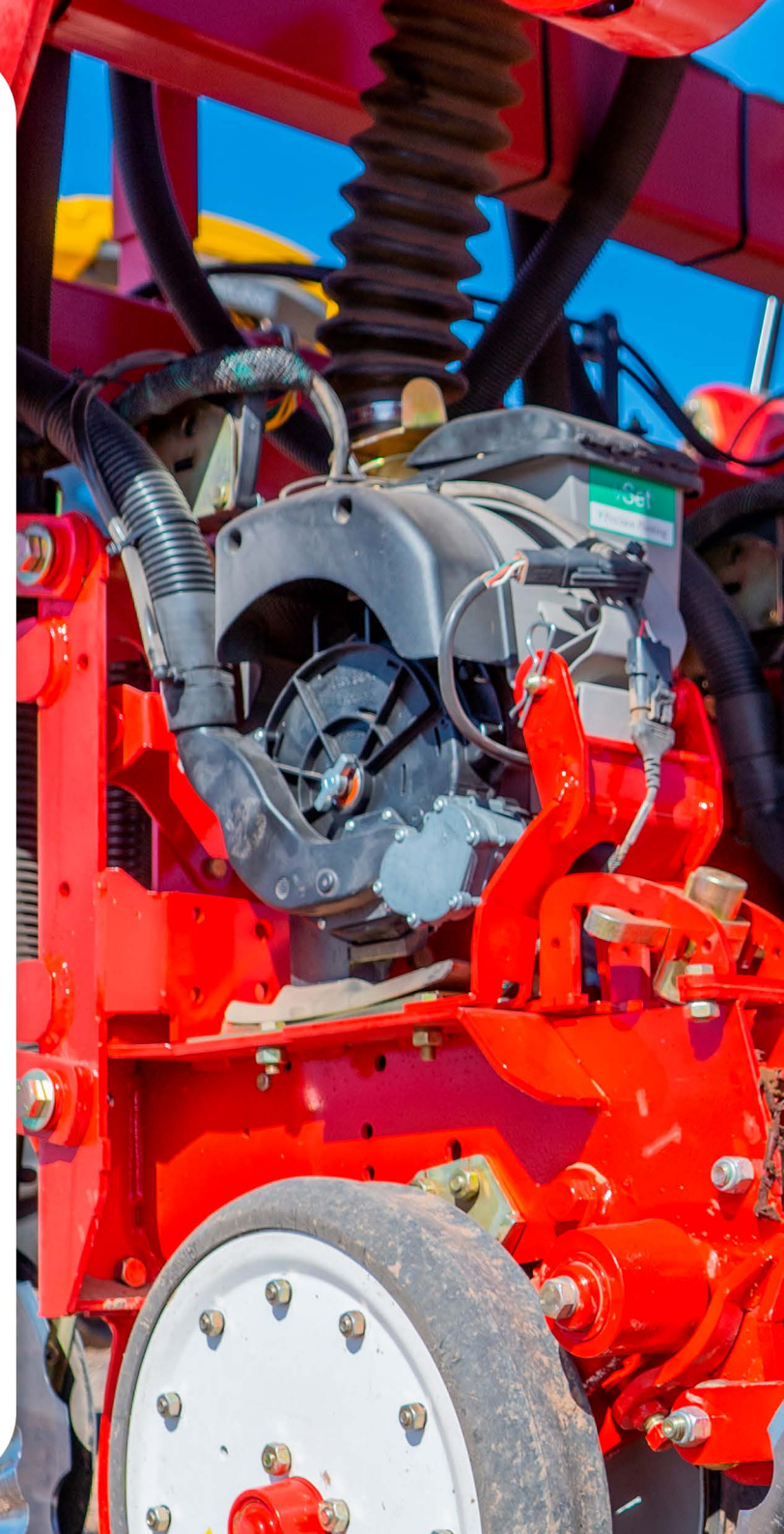
State-of-the-art technology applied to the seeding labour has come to stay; and in Apache we believe we are "traditionally up-to-date". All our seeding equipment has preserved its strong essence but show elegant lines in their design. Machines are also perfectly adaptable to vacuum seeding systems, weather mechanically or electrically driven.

The most outstanding features of these seed meters with "suction" system are: seeding speed and the possibility of planting different types of seeds.

MATERMACC: It offers precision, simplicity and low maintenance.

PRECISION PLANTING: It offers precision, high technology and a wide quantity of information as well as a broad range of attachments.

APACHE



Front folding system, which allows changing from transport to work position in less than 1 minute.



APACHE

For almost 70 years, seeding has moved us.

www.apache.com.ar

ventas@apache.com.ar

+54 9 3471 55-0888

Juan Domingo Perón N° 197,



Las Parejas, Santa Fe, **Argentina**



**Made here,
proven
worldwide.**