

# **DG** DE GRANDE



# Vission, Mission & Values

## 01. Vission

Provide high-tech and quality agricultural machinery, in order to solve the needs of our clients, forming a work team marked by professionalism and efficiency.

## 02. Mission

In addition to promoting and consolidating our brand in the international market, based on the ability to adapt to changes with an evolutionary attitude, we want to ensure that our manufacturing is completely sustainable so that our future generations grow up in a healthy environment.

## 03. Values

The basis of our organization is human capital, supported by respect and recognition, immersed in an honest, empathetic environment with marked professionalism. Our motto is GROW, and it is aimed at all aspects of life. All together and supporting each other.





# Environmental commitment

## 01. Ternium steel

Our implements are manufactured exclusively with Ternium Steel, a world-leading company in steel production, awarded by "Worldsteel" for six years in a row, in recognition of its sustainable development policy. This guarantees not only the quality and durability of our products, but also our contribution to the promotion of eco-sustainable development.

## 02. Paint recovery

In our manufacturing process we implement an innovative process for recovering surplus paint. Using specialized machinery, we collect and treat leftover or discarded paint, purifying it for reuse. This initiative reduces waste generated, minimizes resource waste, and promotes more responsible production practices.

## 03. Green energy

We are committed to transitioning to renewable energy sources as part of our commitment to environmental sustainability. This way reduce our carbon footprint and promote a healthier environment for future generations.



# CORN HEADER *ED-2020*

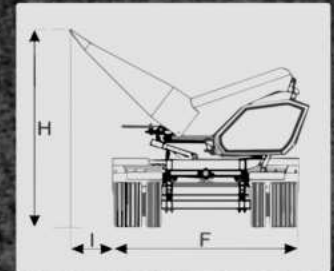


# Technical characteristics

<b>Snouts and hoods *</b>	High-impact plastic, hood in scales, foldable for better working position, transportation and maintenance
<b>Rows and blades</b>	Opposing blade system, four per roll, eight per row
<b>Gearboxes</b>	Individual per row
<b>Command box</b>	Aluminum oil-dipped plus molykote
<b>Colours</b>	Optional: green, red or yellow.
<b>Optional</b>	Headsight header height control, hydraulic multi-coupling, side augers
<b>Cart</b>	Two or three axles with tires
<b>Chains</b>	CA 555 drives USA
<b>Weight per row without cart</b>	235 Kg
<b>Warranty</b>	2 years

- > **Rear control bars protection**
- > **Stainless steel center floor**
- > **Blade opening indicator**
- > **Resistant metallic paint**
- > **Viewer oil level in main boxes**

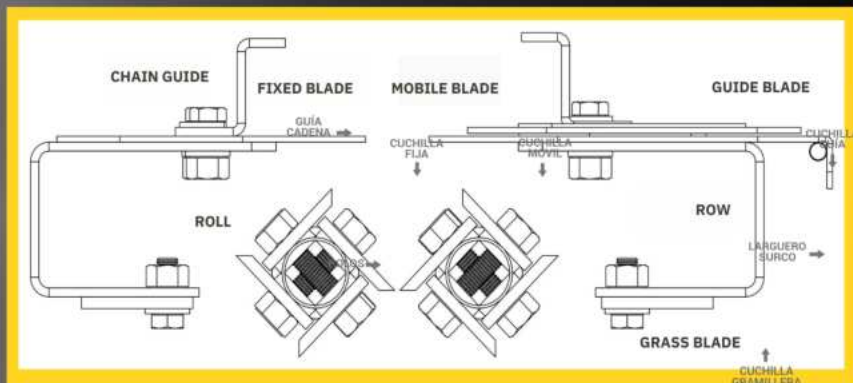
Variable width regulation						
A 525mm	8	9	10	13	16	18
A 700mm	6	7	8	10	12	14
Fixed width regulation to 525						
A 525mm	11	12	14	20		
Fixed width regulation to 700						
A 700mm	9	14	16			



F: 2000 (mm)  
H: 2600 (mm)  
l: 250 (mm)

## ROW AND BLADES

Equipped with adjustable blades using a hydraulic cylinder (manual or electric) that allows them to adapt perfectly to the different diameters of plant stems. The working system uses opposing blades, allowing a perfect cut without tears, leaving excellent coverage for the future planting. They receive a tungsten cementing on the edges to give them greater durability and have rotation capacity to achieve maximum use. It also has Drives brand lifting chains (EEUU) of recognized world quality.



### BLADES



### ROW



### ROLL



## GEARBOX

The maximum torque of the box is limited by a safe system, which ensures that in case of excessive effort the row does not suffer any damage. Gearbox system is very simple since it works by friction, the advantage of this is that it is not a system that is destroyed when acting, allowing you to continue working normally once the reason that produced the overexertion has been eliminated.



## COMMAND BOX

The maximum torque of the box is limited by a safe system, which ensures that in case of excessive effort the row does not suffer any damage. Gearbox system is very simple since it works by friction, the advantage of this is that it is not a system that is destroyed when acting, allowing you to continue working normally once the reason that produced the overexertion has been eliminated.



## ADAPTABLE KIT FOR HARVESTER



## OPTIONAL



Headsight header high control



Control hydraulic multi-coupling

## COLOUR OPTIONS



# CORN HEADER ED-1410

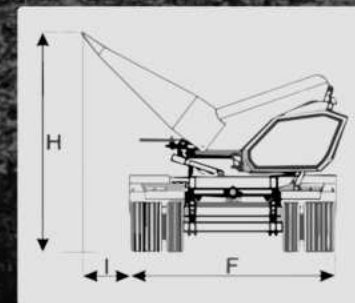


# Technical characteristics

<b>Snouts and hoods</b>	High-impact plastic, hood in scales, foldable for better working position, transportation and maintenance
<b>Rows</b>	Shredding system with six unsharpened knives per row, twelve per roll
<b>Gearboxes</b>	Individual per row
<b>Command box</b>	Comer Italian, grease-dipped
<b>Chains</b>	CA 555 drives USA
<b>Colours</b>	Optional: green, red or yellow.
<b>Optional</b>	Headsight header height control, hydraulic multi-coupling, side augers
<b>Cart</b>	Two or three axles with tires
<b>Weight per row without cart</b>	230 Kg
<b>Warranty</b>	1 year

- > **Rear control bars protection**
- > **Stainless steel center floor**
- > **Blade opening indicator**
- > **Resistant metallic paint**
- > **Viewer oil level in main boxes**

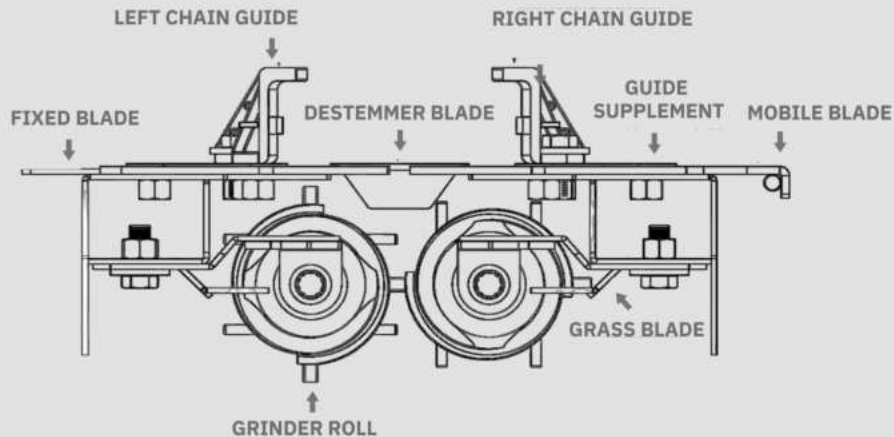
Variable width regulation						
A 525mm	8	9	10	13	16	18
A 700mm	6	7	8	10	12	14
Fixed width regulation to 525						
A 525mm	11	12	14	20		
Fixed width regulation to 700						
A 700mm	9	10				
Fixed width regulation to 420						
A 420 mm	13	14	16	18	20	



F: 2000 (mm)  
H: 2600 (mm)  
I: 250 (mm)

## ROW

Based on the detachment of spikes by means of spike rollers equipped with longitudinal paddles that, by strangling, detach the spike from the stem without generating waste that enters the harvester. Rollers mounted on bearings between tips that, by giving greater firmness to the assembly, avoid the typical vibrations of cantilever mounting, and possible breakages. New design of mobile and fixed blades that cushion the impact of the spikes, reducing shelling. Resized gearboxes that allows it to be disassembled for repair or replacement without having to remove the entire groove assembly. The lifting chains are, as always, Drives brand (USA) of unquestionable quality on the market.



## ROLL

Two per concentric row. The front spirals provide a smooth and orderly entry of the plants. The traction zone has fins that lower quickly the cane between the plates.



## COMMAND BOX

Mechanisms internally lubricated by grease in a completely sealed housing, giving it safe, serene and low noise operation



## ADAPTABLE KIT FOR HARVESTER



## OPTIONAL



Headsight header high control



Control hydraulic multi-coupling

## COLOUR OPTIONS



# CORN HEADER MULTILINE *FREEDOM*



# MAXIMUM PERFORMANCE, BEST TREATMENT OF THE CROP



- ✓ Lifting chains, for more efficient collection
- ✓ Tenoning plates with simultaneous movement. With the adjustment drive of both plates, the slot of the collecting unit is always kept centered. (Patent pending)
- ✓ Thinner snouts, built in high-impact plastic material
- ✓ Hoods with staggered scales, which reduces the return of the spikes towards the cutting or detachment area, made of high-impact plastic material
- ✓ Adapter. Achieves a smooth and uniform delivery to the carrier. Allows you to adjust the angle of attack of the header. It is interchangeable: it easily fits any brand and model of combine harvester.
- ✓ Harvest on plot headers
- ✓ Distance errors between rows during sowing
- ✓ Harvesting on contour lines

## ROW



## COMMAND BOXES:

Produced entirely in our manufacturing plant. The boxes are made of high-strength aluminum alloy, achieving a notable reduction in the total weight of the unit. The central axis, mounted on conical rollers, is made of SAE 8620 alloy steel, case-hardened, as are the augers that control the chain axles. The sprockets are made of one-piece forged steel and all shafts are mounted on tapered rollers. The box works in a bath of oil and additives, which allows low maintenance, more serene work, and reduced wear.



## GEARBOX:

One per row, works by friction. It is not destroyed by acting, once the reason that caused overexertion has been eliminated, you can continue working normally.



**Total versatility and flexibility in corn harvesting, it can work without having to follow the row line, allowing plants that enter outside the center line of the harvesting unit to reach it without being cut or broken, with a minimum inclination.**

## Options:

With edge + saw blade, this system makes a partial cut of the stem, leaving the ideal coverage for the next sowing. It also minimizes the damage caused by the cane to the combine harvester tires.



Traditional roller system with opposing blades and edges. This threshing system cuts the plant approximately every 8cm, leaving total coverage on the ground. This system stands out for its high working speed at the exit of the rolls (1,200 / 1,300 rpm).



## Standard components:

Headsight header height control



Side augers



# SUNFLOWER HEADER DGG-24



# Technical characteristics

<b>Interchangeable feeder adaptor</b>	Suitable for all brands and models of harvesters
<b>Gearboxes and chains</b>	ASA 60
<b>Blades box</b>	Grease-dipped
<b>Drive belt</b>	Type "C"
<b>Second commands</b>	Mechanical control: chain drive transmission ASA 60
<b>Puller</b>	Modular in sections, mounted on self-centering bearings and hexagonal movement
<b>Comb</b>	Four attack rows
<b>Snouts</b>	Double heat-treated
<b>Main commands</b>	Mechaniz command: equiped ASA 60 chains Hydraulic command: with 200cc engine
<b>Cutting bar</b>	Modular, equipped with three sections per line of plant intake
<b>Tray regulation</b>	Manual
<b>Transport trailer</b>	Hydraulic and mechanical
<b>Transport width</b>	2560 mm
<b>Weight per row</b>	165 kg

## Hydraulic and mechanical regulation

525mm	16	19	21	24
700mm	12	14	16	18

**DS DE GRANDE**  
**DGG-24**

# **SELF HOPPER** *STRONG DG 24*

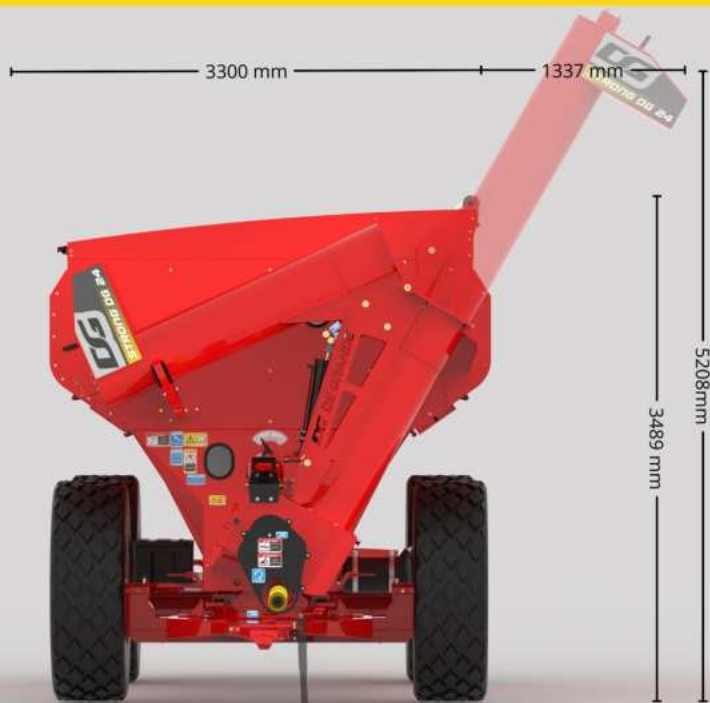


## Technical characteristics

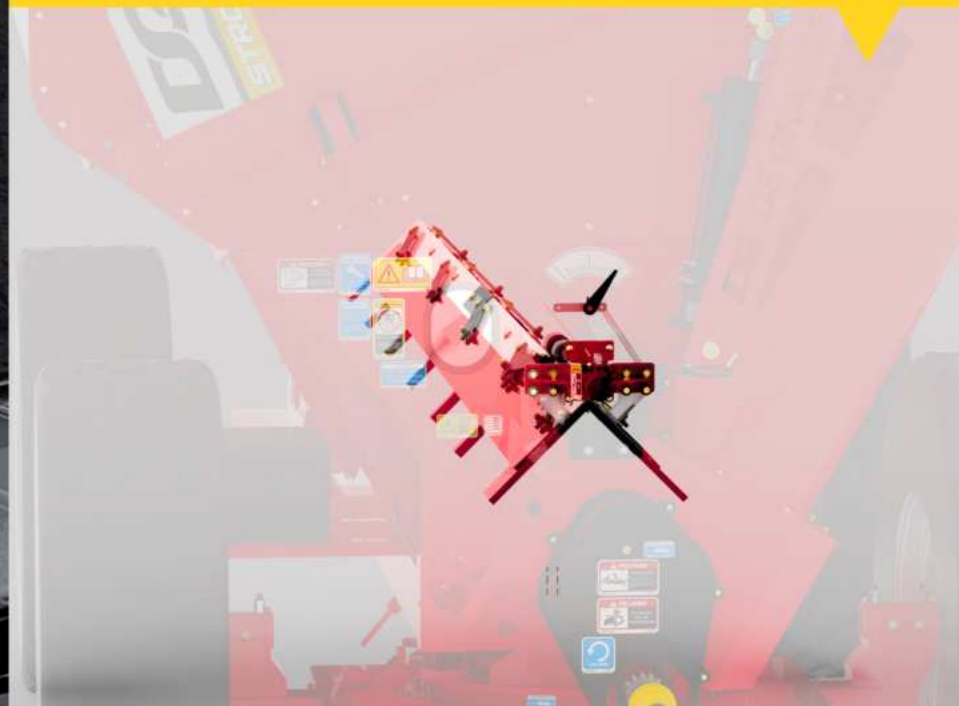
<b>Volumetric capacity</b>	30 m3
<b>Required power</b>	120 HP minimum
<b>Front axle</b>	With rotating ball ring, removable shaft tip with possibility of placing a scale
<b>Rear axle</b>	Built with gray profile with removable shaft tip
<b>Wheel hubs</b>	With center for ten bolts M22 (MB) oil-dipped
<b>Tire disc - Rims</b>	20" X 30" X 1/2"
<b>Tires</b>	Four units - 23.1 - 30
<b>Equipment drive</b>	Through the tractor power take-off, speed regime 540 rpm
<b>Hydraulic command</b>	Opening and closing with guillotine system through a hydraulic cylinder commanded from the tractor Opening and closing hydraulically operated unloading tube with with progressive brake
<b>Unloading tube</b>	450 mm diameter
<b>Unloading type</b>	Two guillotines activated through a hydraulic cylinder
<b>Floor/Tube augers</b>	Both cemented
<b>Transmission of command</b>	Command box oil-dipped with conical gears and through a double chain ASA 80 transmission
<b>Electrical installation</b>	Parking and brakers lights. Turn indicators. Unloading reflector
<b>Lower unload gate</b>	Total opening with two side doors
<b>Cover</b>	Rear drive with full coverage in the hopper closure
<b>Electronic scale</b>	Optional accessory
<b>Weight</b>	4300 Kg
<b>Colours</b>	Green, yellow, red

\*The company reserves the right to make any changes to its products without prior notice.

## MEASURES



## GUILLOTINE OPENING



DE GRANDE

## TRANSMISSION



## BOTH AUGERS CEMENTED



DE GRANDE

# **DG DE GRANDE**



[www.degrandesa.com.ar](http://www.degrandesa.com.ar)



[info@degrandesa.com.ar](mailto:info@degrandesa.com.ar)



+54 (03471) 490142



Ruta Nac. N° 9 km. 397- Armstrong- Argentina