



Gimetal

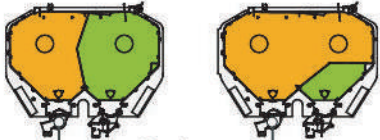
Maquinarias Agrícolas



Side Cutoff Valve for Hopper

Seed and Fertilizer

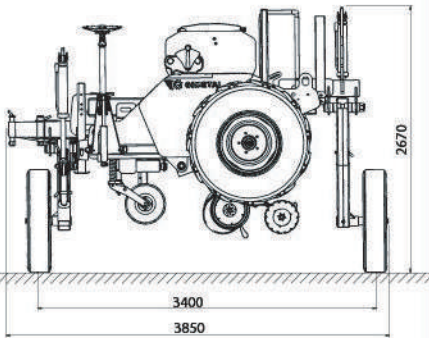
Seed



Dosificadores

Seed Tank

Fertilizer Tank



TRANSPORT WIDTH
3,85 mts

Fine Grains: Plastic Roller Metering Units for seeds and Chevron-Type Metering for Fertilizer.

Coarse Grain: Disc Metering Units for corn, soybean, sunflower, sorghum, etc.

Polyurethane-Painted Sheet Metal Hoppers

Hydraulic Row Markers, Synchronized with 16" Notched Disc

Transport Drawbar for Relocation

Planting Units:



Front-Mounted Planting Unit with Press Wheel



Rear Planting Unit for Fine Grains



Rear Planting Unit for Coarse Grains

SEEDER F.G. 2011

FINE GRAINS, COARSE GRAINS & FORAGE

FINE GRAINS FEATURES

- Single hoppers made of polyurethane-painted sheet metal, with variable bolted bottoms.
 - Cutting discs with safety spring mechanism.
 - Hydraulic row markers, synchronized with 16" notched disc.
 - Metering units with plastic roller for seeds and chevron-type for fertilizer.
 - Hydraulic lifting system, with 3 ½" and 4" cylinders.
 - Working wheel hubs: high-strength cast iron in opener discs.
 - **Working tires: 14.9 x 28 (8-ply) or high-flotation tires (optional).**
 - Side-folding drawbar for transport.
 - Rear hitch for attaching various trailers.
 - Transport clearance: 500 mm.
 - Working clearance: 350 mm.
- Planting units-parallelgram mounted row units with dual-treated bushings.
 - Seed firming tabs.
 - Quick-adjust row unit pressure regulator.
 - Closing wheels with fast attack angle adjustment.
 - Adjustable gauge wheel arm, cast iron with interchangeable greased bushing.
 - Row spacing options: 17.5 cm, 19 cm, and 21 cm.
 - Individual variable-ratio gearboxes for seeds, fertilizers, and pastures, equipped with safety clutch and oil-bath lubrication.
 - Power requirements:
 - 5 hp per row unit.
 - 7 hp for dual fertilization.
 - Alternate row lifting for coarse-grain broadcasting

OPTIONAL FEATURES:

- The coarse grain kit can be added with mechanical, disc, or pneumatic metering.
- Forage seed box with helical metering system and sloped bottoms for optimal seed usage.
- Protective cover tarp.

COARSE GRAINS FEATURES

- Single hoppers made of polyurethane-painted sheet metal, with sliding lids for loading and discharge spouts for coarse grains with guillotine valve.
 - Coarse grain metering units with disc system for corn, soybean, sunflower, sorghum, etc.
 - Hydraulic row markers, synchronized with 16" notched disc.
 - Mechanical metering unit with horizontal plate and chevron-type for fertilizer.
 - Pneumatic metering system - Italian MaterMacc system.
 - Hydraulic lifting system, with 3 ½" and 4" cylinders.
 - **Working tires: 14.9 x 28 (8-ply) or high-flotation tires (optional).**
 - Folding drawbar for transport.
- Transport clearance: 500 mm.
 - Rear hitch for attaching various trailers.
 - Working clearance: 350 mm.
 - Planting units: parallelgram-mounted row units.
 - Seed row unit parallelograms with treated bushings (constant-pressure).
 - Quick-adjust row unit pressure regulator, with constant pressure system.
 - Closing wheels with fast attack angle adjustment.
 - Dual gauge wheels with adjustable cast-iron arm.
 - 54-speed individual gearboxes for seeds and variable gearbox for fertilizer (coarse grains).
 - **Row spacing options:** 35 cm, 52.5 cm, and 70 cm.

OPTIONAL FEATURES:

- Dual fertilization system. | Pneumatic metering system.
- Hydraulic drive system for attaching a seed supply unit.
- Polyurethane-painted sheet metal hoppers, with sliding ramps for loading and discharge spouts for coarse grains with guillotine valve.
- Hydraulic row markers, synchronized with 16" notched disc.
- Dual rear hydraulic outlet.

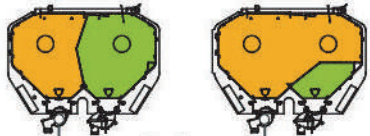
CHASSIS	Fine Grains			Coarse Grains				Capacity (LT)		
	17,5 cm	19 cm	21 cm	35 cm	42 cm	52,5 cm	70 cm	Total	Seed	Fertilizer
3260	17	17	15	9	7	6	5	1307	621	686
3960	21	19	17	11	9	7	6	1589	755	834
4680	25	23	21	13	11	9	7	1758	835	923
5360	29	27	25	15	12	10	8	2095	995	1100
6780	35	33	31	19	16	13	10	2614	1242	1372



Side Cutoff Valve for Hopper

Seed & Fertilizer

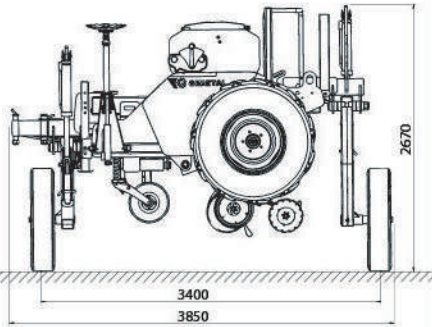
Seed



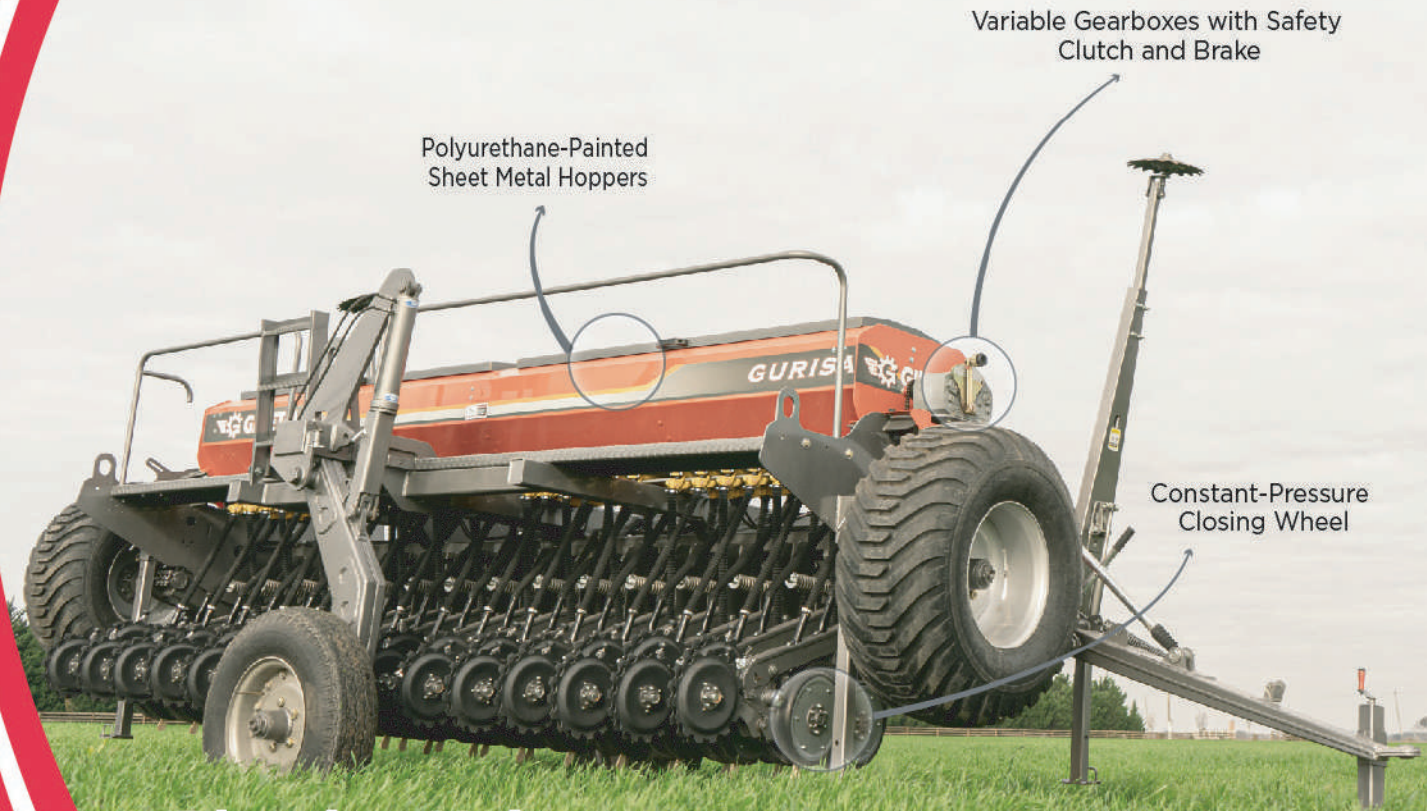
Dosificadores

Seed Tank

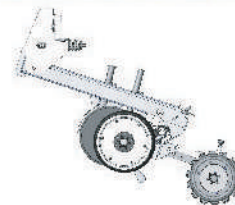
Fertilizer Tank



TRANSPORT WIDTH
3,85 mts



Planting Units:



Rear Planting Unit for Rice



Rear Planting Unit Gurisa with Rubber Closing Wheel



Front Planting Unit Gurisa with Rubber Closing Wheel

SEEDER **GURISA**

FINE GRAINS & RICE

FEATURES

- Row Markers: (2) Hydraulic, Synchronized.
- Hydraulic Lifting System.
- Gearboxes: 2 Variable Gearboxes with Safety Clutch and Brake.

Planting Units

- Row Unit Support: Standard pivot screw (3/4" and 6 1/2"), treated bushings (and sealed bearings, maintenance-free).
- Compression Spring: Minimal travel with constant load.
- Dual Gauge Wheels in all configurations.
- Dual Opener Discs: One 15" smooth disc - One 16" smooth disc.
- Depth Control: Threaded adjustment with semi-pneumatic wheel (2 1/8" x 15").
- Seed Firming: Plastic seed press wheel.
- Closing Arm: Designed to efficiently follow soil ridges.
- Closing Wheel: Rubber or steel, with notched spacer.
- Cast Nodular Iron Hubs: Dual 6204 sealed bearings, with constant pressure system.
- Interchangeable bolted hopper bottoms.

OPTIONAL FEATURES:

- Seed Firming Wheel, Dual Gauge Wheels.
- Cast Iron Metering Units.
- Front Transport System.
- Cutting Blades (only for zero-level planting).

- Working Wheel Hubs: 10-12 Bearings (30210 - 30212) with Dual Seal.
- Working Tires: 12.4 x 28, Optional High-Flotation Tires.
- Work Drawbar: Hinged with Hardened Bushings.

- Bolted Hopper, divided into two compartments: 850 L for seed / 850 L for fertilizer.
- Intermediate row units can be lifted for coarse grain band sowing.
- Longitudinal hitch: 3.80 m (optional without transport).

Metering Units:

- Seed: Roller-type metering unit.
- Fertilizer: Chevron-type metering unit.
- Working Tires:
 - 14.9 x 9 x 24 (optional high flotation).
 - 12.4 x 28 (optional high flotation) | 550 x 60 x 22.5.

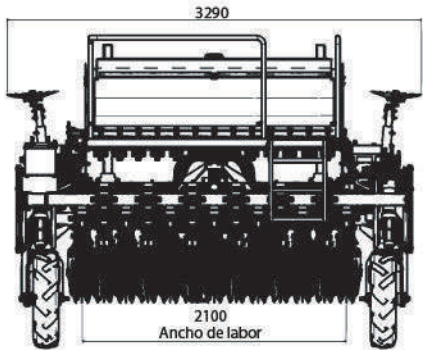
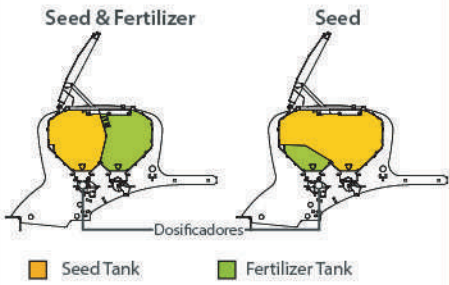
- Planting Monitor.
- Seed Drop System with Telescopic Tube.
- Forage Seeder with 36-Speed Gearbox.
- Protective Cover Tarp.
- Hydraulic Drive System.
- Dual Rear Hydraulic Outlet (for seed supply unit).

GURISA CONFIGURATION

CHASSIS	Number of Rows			Capacity		
	17,5 cm	19 cm	21 cm	Total	Seed	Fertilizer
3260	17	17	15	1307	621	686
3960	21	19	17	1589	755	834
4680	25	23	21	1758	835	923
5360	29	27	25	2095	955	1100
6780	35	33	31	2614	1242	1372



Side Cutoff Valve for Hopper



TRANSPORT WIDTH
3,30 mts



Planting Units:



Rear Planting Unit for Fine Grains



Rear Planting Unit for Coarse Grains

SEEDER **SMG**

FINE GRAINS & COARSE GRAINS

Suitable for Forage

FEATURES

- Ideal for Fine and Coarse Grains.
- Suitable for Forage.
- Transport Options:
 - 3-Point Hitch (Category 2 and 3)
 - Drawbar Hitch
- Transport Width: 3.05 m.
- Required Power: 60 HP.
- Coarse Grain Configuration:
 - 4 rows at 70 cm
 - 5 rows at 52 cm
 - 7 rows at 35 cm
- Fine Grain Configuration: 13 rows at 17.5 cm.
- Fertilizer Hopper: 424 kg capacity, single large hopper for all row units.
- Gearbox: 16 independent speeds (1 for seeds and 1 for fertilizers).
- Seed Tank: 50 kg capacity per tank (optional for coarse grains).
- Hydraulic Row Markers (individual or combined).

OPCIONALES:

- Forage Seed Box with 36-speed oil-bath gearbox.
- "Geronzi" Mechanical Metering Units, disc-type or pneumatic metering system.
- Grain Press Wheel or Seed Firming Tongue.
- Equipped with Tires: 7.5x16 with tread.



www.gimetal.com.ar

www.gimetal.com.ar

Alberdi 2355 - PC. 2508 - Armstrong - Santa Fe - Argentina

Ph.: 03471-463116 | Fax.: 03471-462024

e-mail: ventas@gimetal.com.ar